

FAQ Category: Testing Methods; Drinks

Q: What does a 10 mL Slip Tip syringe look like and can I be sure it is the same around the world?

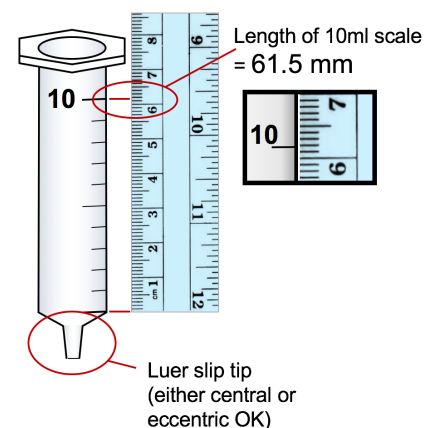
A: A 10 mL 'slip tip' syringe is shown in the photo below. It is sold as a plastic sterile hypodermic syringe for single use. It is also known as a 'Luer slip tip' syringe. The tip of the syringe is smooth and without a locking system. It does not matter if the tip is situated to be central or eccentric (positioned off to one side).



Although 10 mL syringes were initially thought to be identical throughout the world based on reference to an ISO standard (ISO 7886-1), it has subsequently been determined that the ISO document refers only to the nozzle of the syringe and that variability in barrel length and dimensions may exist between brands. The IDDSI Flow test uses a specific reference syringe with a measured length of 61.5 mm from the zero line to the 10 mL line (BD™ syringes were used for the development of the tests – manufacturer code 301604). IDDSI is aware that there are some syringes that are labeled as 10 mL, but in fact have a 12 mL capacity. Results using a 12 mL syringe will be different to those from a true 10 mL syringe.

Details for conducting the test can be found in the IDDSI Testing Methods document. Videos showing the IDDSI Flow Test can also be viewed at: <http://iddsi.org/framework/drink-testing-methods/>

IDDSI 10ml syringe specifications



References:

ISO-7886-1: 1993 (E) Sterile hypodermic syringes for single use: Part 1: syringes for manual use. International Standards Organisation www.iso.org



This document is to be read in conjunction with the Complete IDDSI Framework, IDDSI Testing Methods and IDDSI Evidence documents (<http://iddsi.org/resources/framework/>).

This IDDSI Framework and Descriptors are licensed under the
Creative Commons Attribution-Sharealike 4.0 International License

<https://creativecommons.org/licenses/by-sa/4.0/>

October 10, 2016