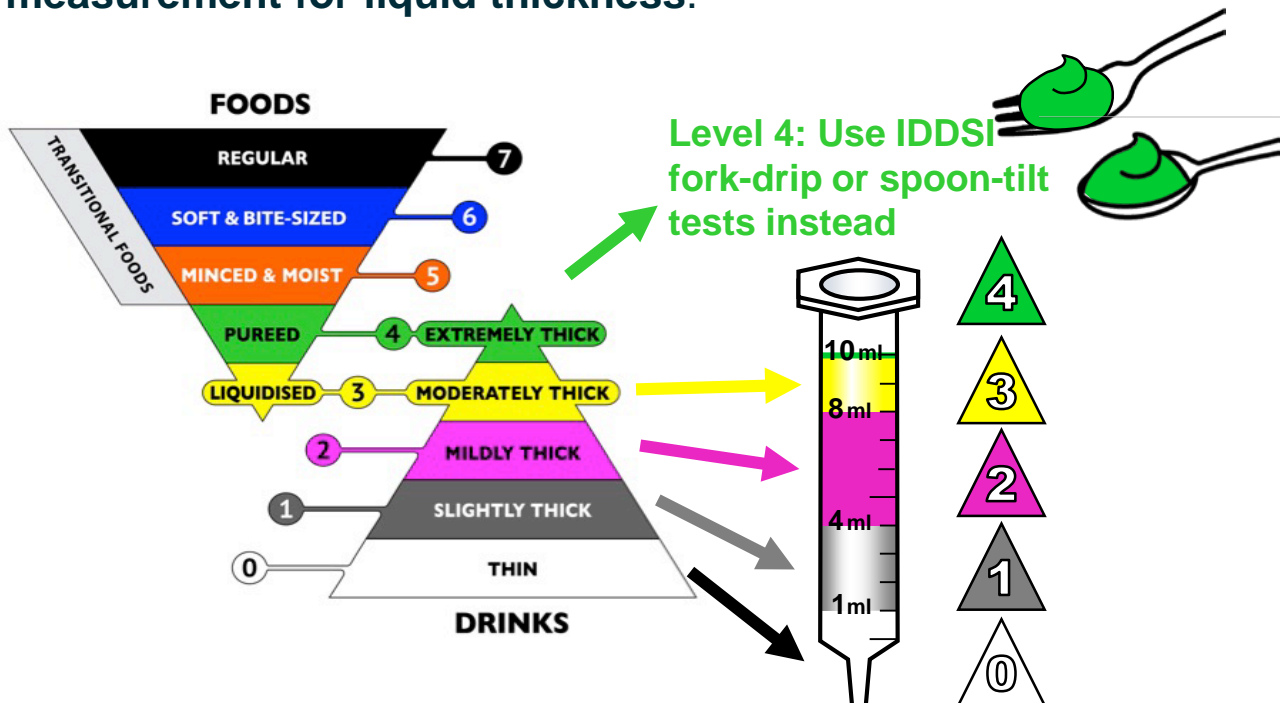


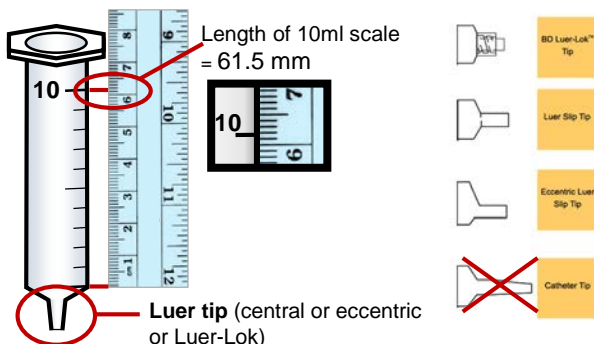
IDDSI flow test

The International Dysphagia Diet Standardisation Initiative (IDDSI) framework of terminology and definitions includes an **objective measurement for liquid thickness**.



The **IDDSI flow test** classifies **IDDSI Levels 0-3** based on their rate of flow.

Specifications: It is essential to use the following syringe dimensions for correct results.



SIGN UP TODAY TO
STAY INFORMED OF
IDDSI UPDATES



<http://iddsi.org/contact-us>

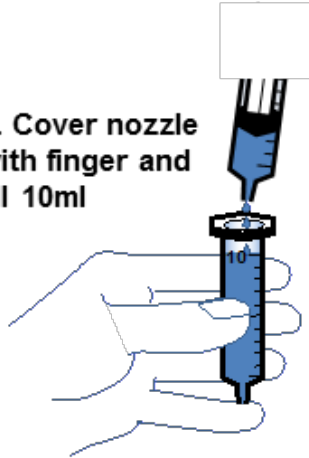
IDDSI flow test - instructions

Videos of IDDSI flow test can be found here:
<http://iddsi.org/framework/drink-testing-methods/> or
 in the IDDSI App

1. Remove plunger



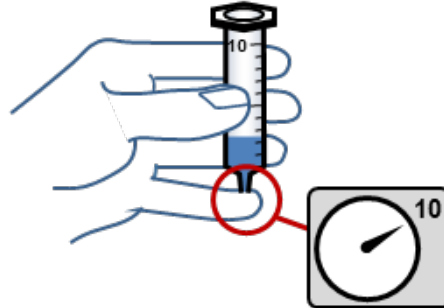
2. Cover nozzle with finger and fill 10ml



3. Release nozzle & start timer



4. Stop at 10 seconds



GET THE FREE
 IDDSI APP
 FOR YOUR PHONE
 & TABLET



PLATINUM SPONSORS



GOLD SPONSORS



SILVER SPONSORS

BRONZE SPONSORS

Dr. Oetker Professional
 Nutri Co., Ltd

Flavour Creations
 Precise Thick-N

Gordon Food Service
 Pulmuone Co., Ltd

Lyons Magnus